

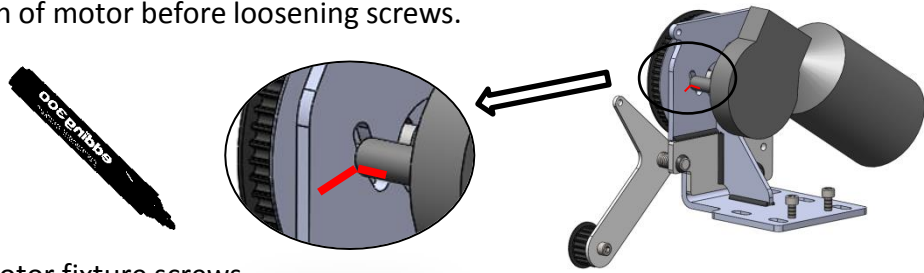
# MAIN BRUSH PULLEY

IB No. 9012917

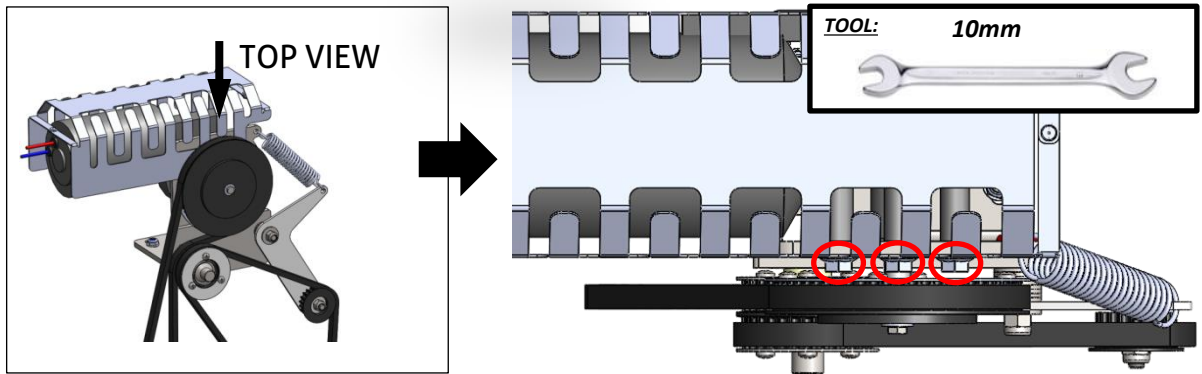
**FOR SAFETY:** Before installing kit, turn machine off and disconnect battery cable!

## INSTALLATION INSTRUCTION:

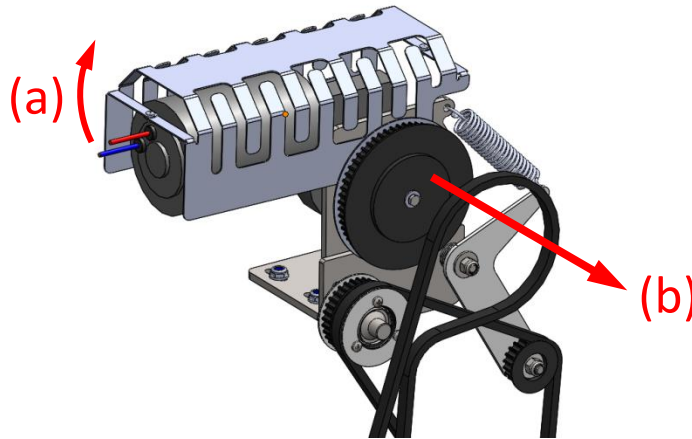
**STEP 1:** Mark position of motor before loosening screws.



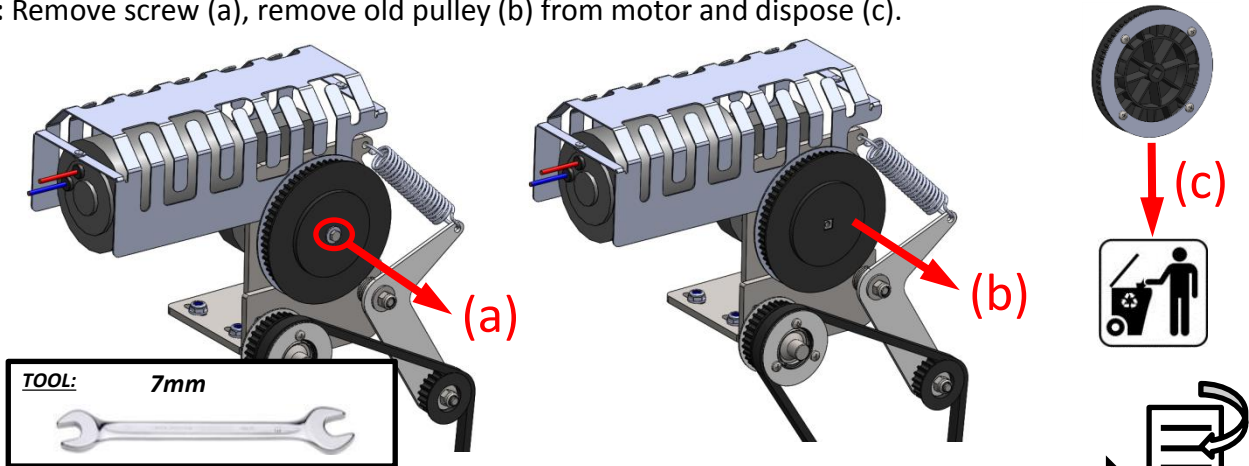
**STEP 2:** Loosen (3) motor fixture screws.



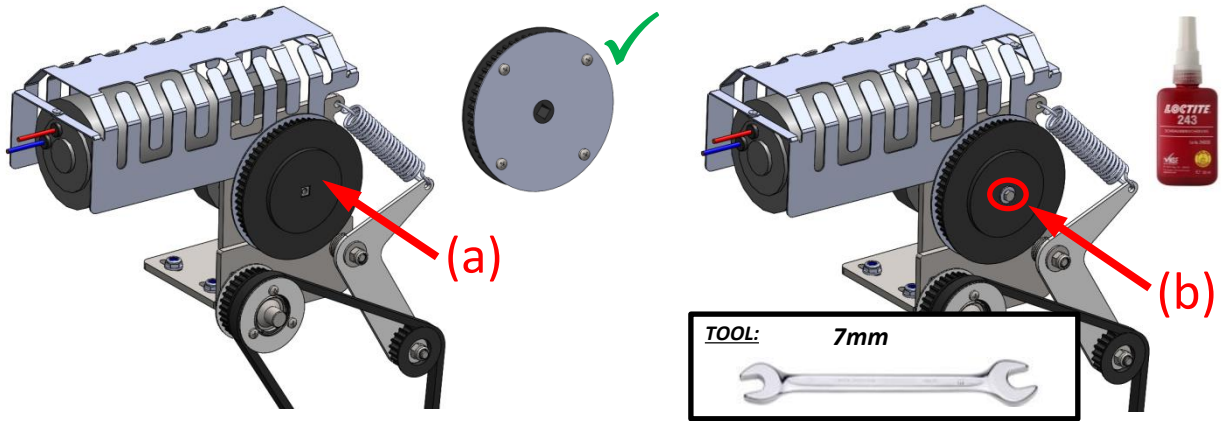
**STEP 3:** Lift motor (a) to relax belt then remove belt (b) from pulley.



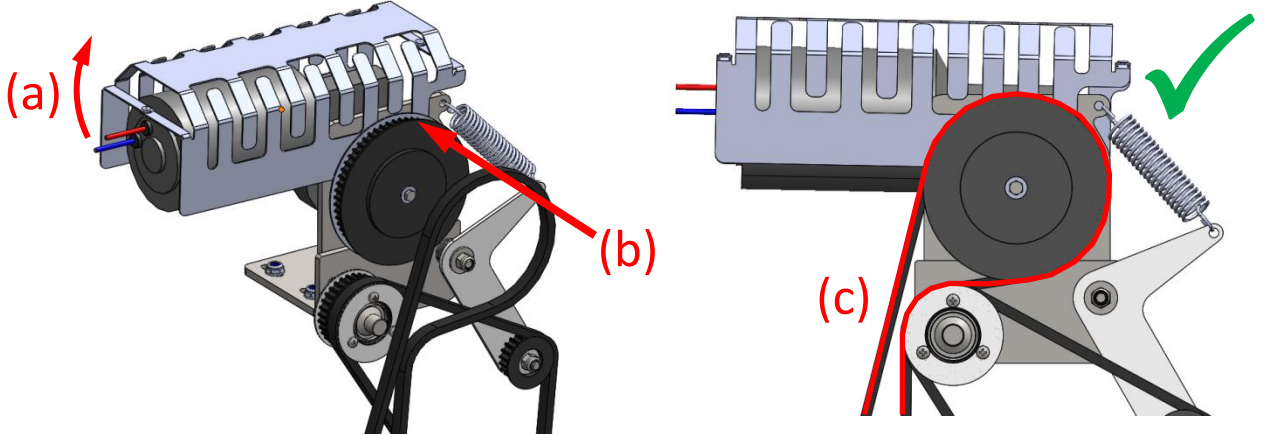
**STEP 4:** Remove screw (a), remove old pulley (b) from motor and dispose (c).



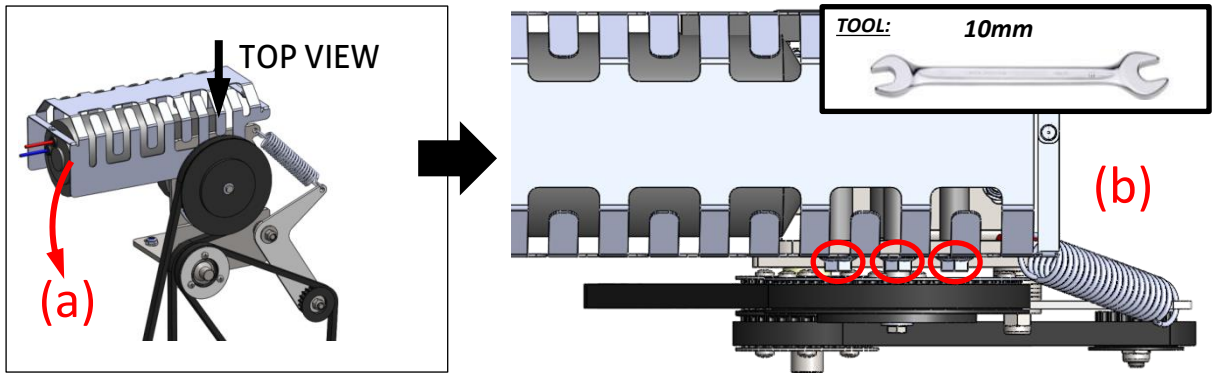
**STEP 5:** Install new pulley (a). Use thread lock to secure screw (b).



**STEP 6:** Lift motor (a) and reinstall belt on new pulley (b). Take care about correct belt routing (c).



**STEP 7:** Realign position of motor (a) with marking and re-tighten (3) motor fixture screws (b).



**STEP 8:** To ensure proper belt tension, you should be able to twist belt 360 degrees (+/-30 degrees).

